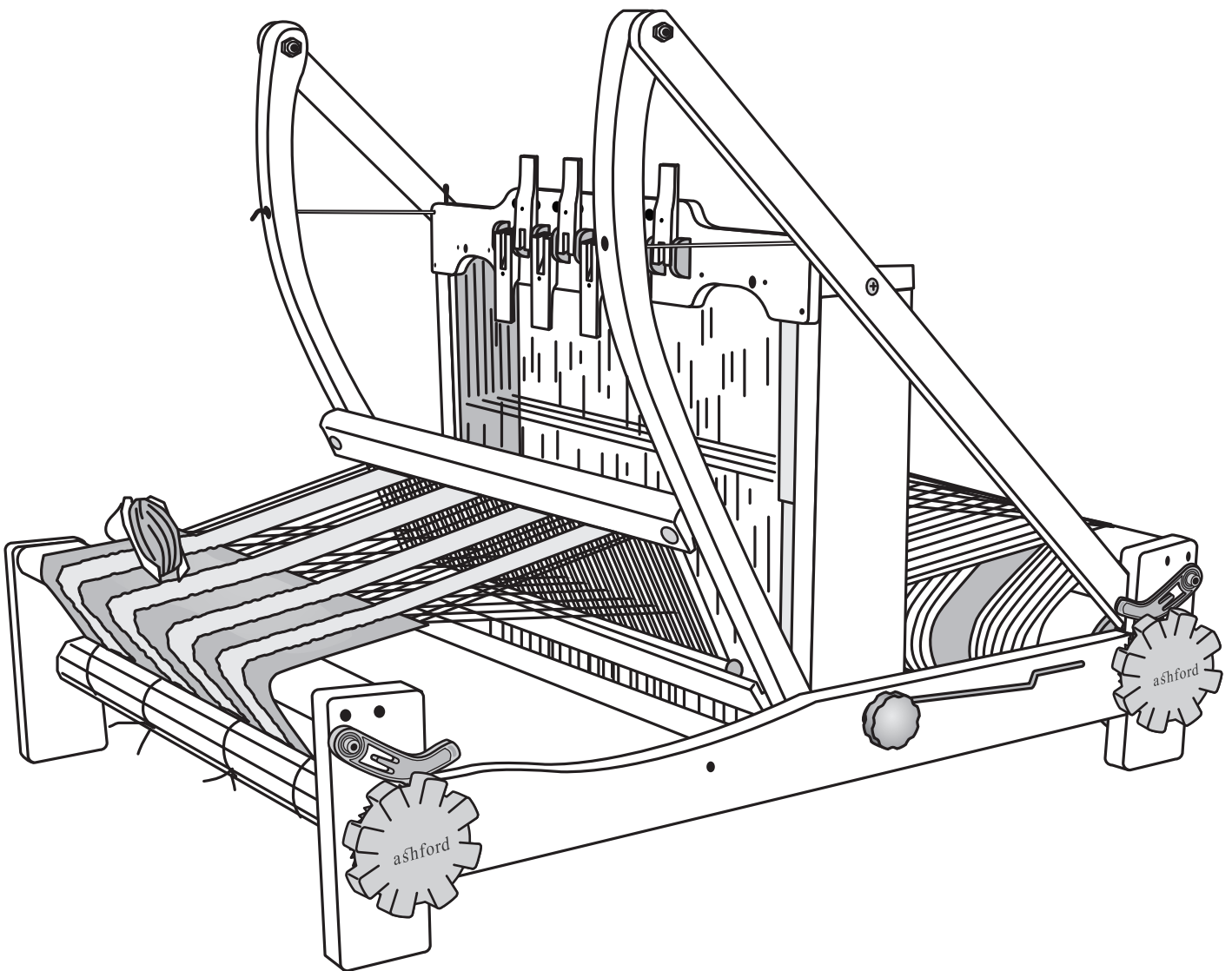


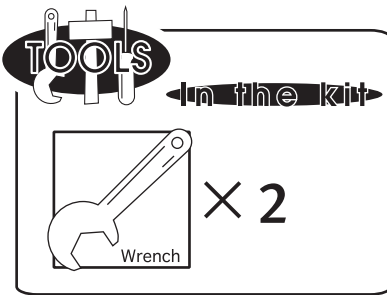
# ASHFORD TABLE LOOM - EIGHT SHAFT

410/610/800mm

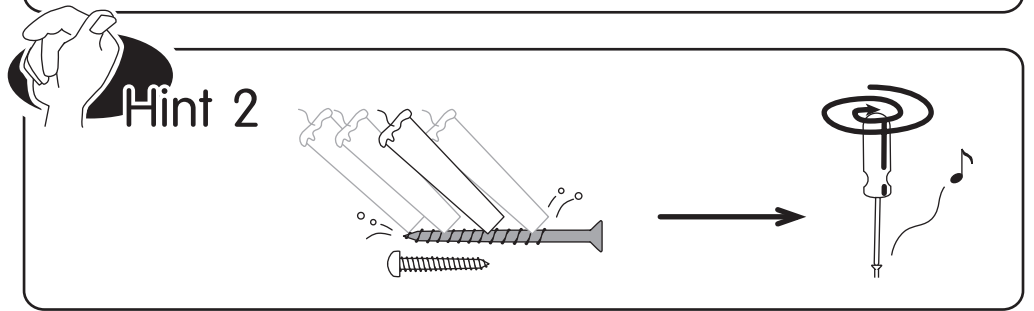
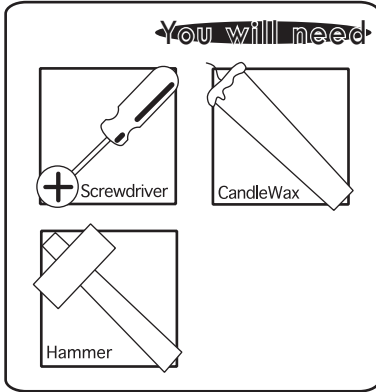
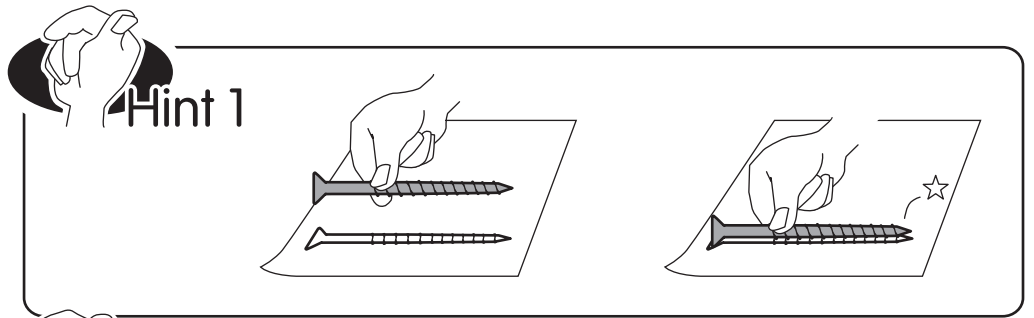
16/24/32in



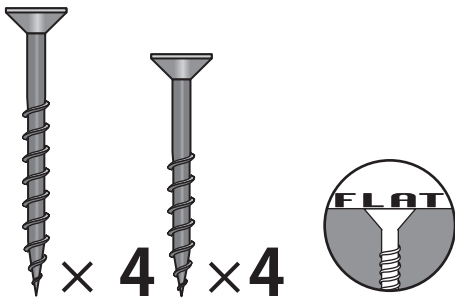
ESTL041018V14



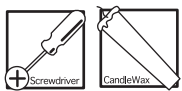
Before commencing, please read these instructions completely, identify the parts and note the assembly sequence.



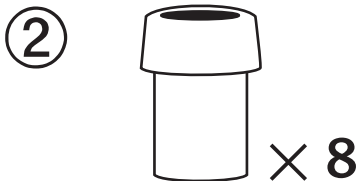
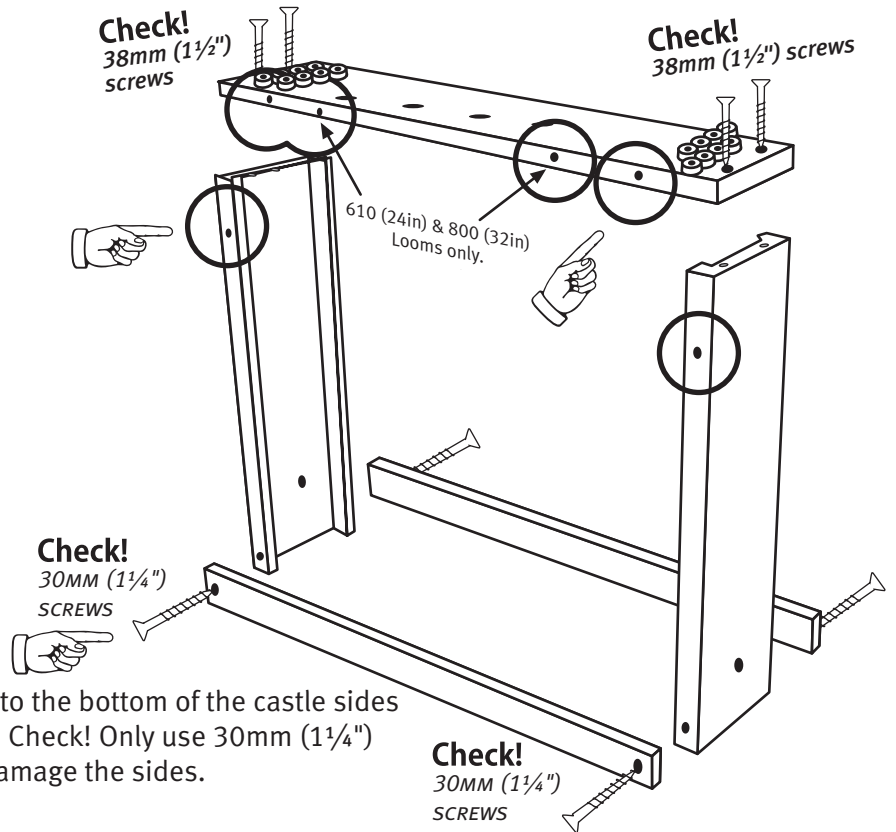
**1**  
Check!



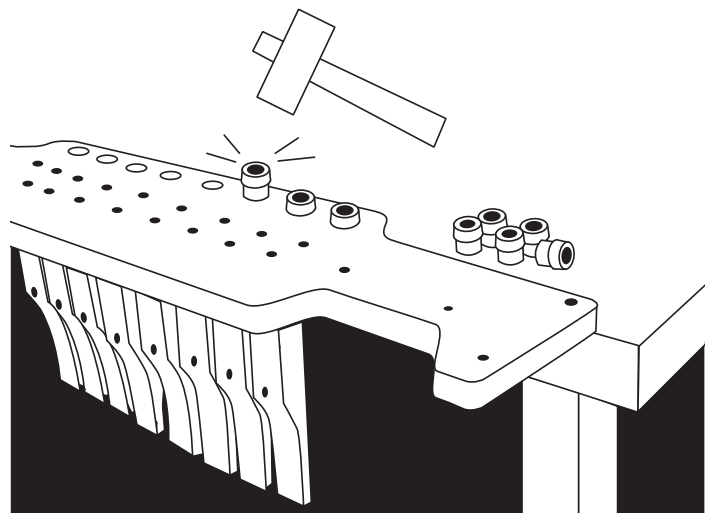
Attach the castle top to the castle sides with 4 x 38mm (1½") screws. Check that the pilot holes for the castle front are all on the same side.



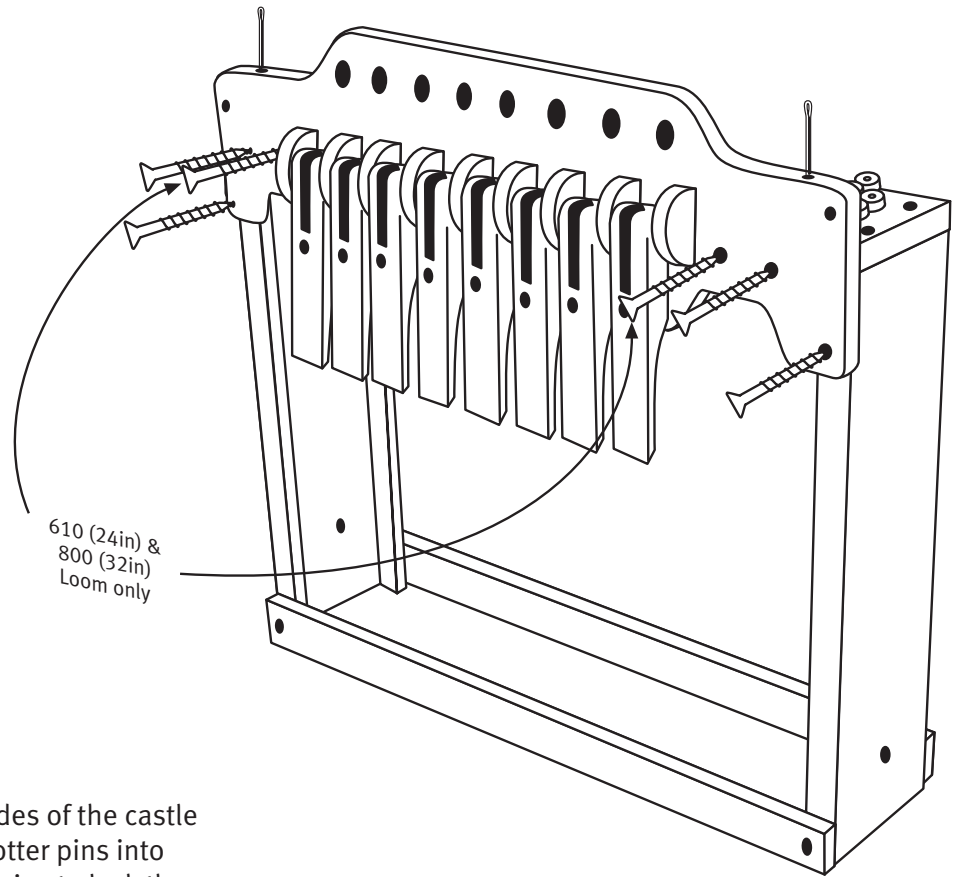
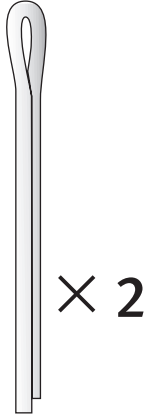
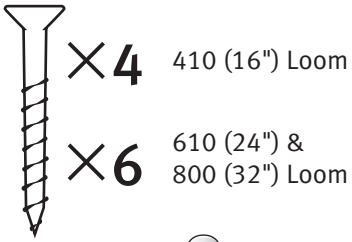
Attach the bottom cross rails to the bottom of the castle sides with 4 x 30mm (1¼") screws. Check! Only use 30mm (1¼") screws. Longer screws may damage the sides.



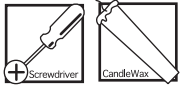
Rest the castle front on a table edge for support. Tap the nylon guides into the cord holes from the back.



3



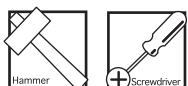
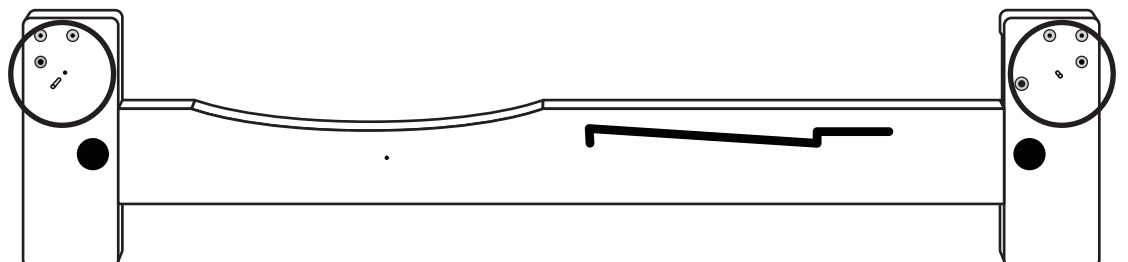
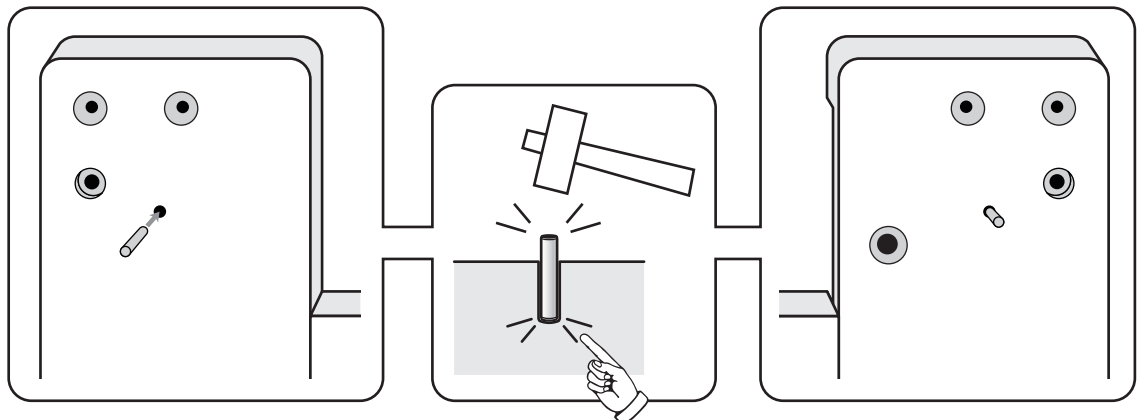
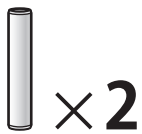
Attach the castle front to the top and sides of the castle with 30mm (1 1/4") screws. Locate the cotter pins into the holes in the castle front. Use these pins to lock the beater in place when threading the reed.



4

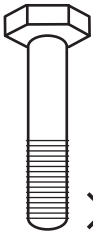
**NOTE: We have completed this step for you.**  
**Remove and discard the wooden protector blocks.**

Tap the "clicker pins" for the pawls to the bottom of the holes in the sides. **NOTE: Both sides are drilled for the pawl so you can chose whether to assemble the loom with the handles on either the left or the right hand side.**



5

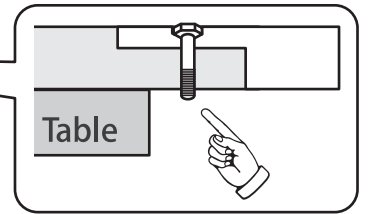
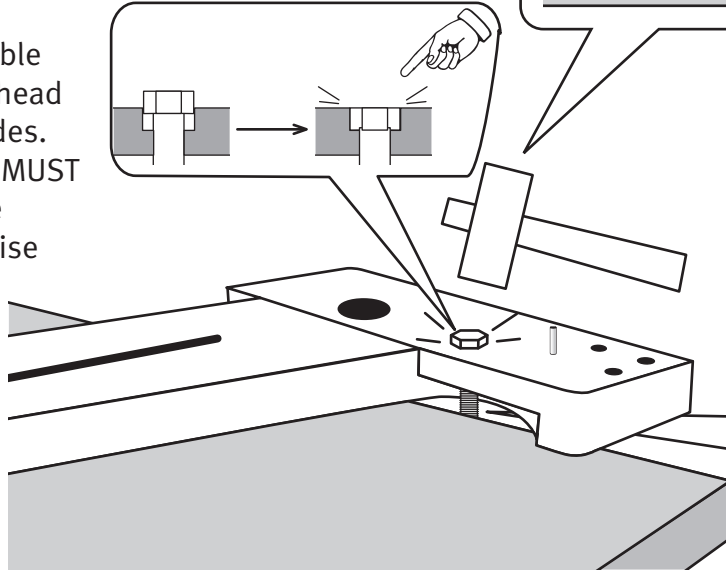
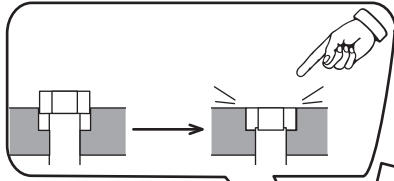
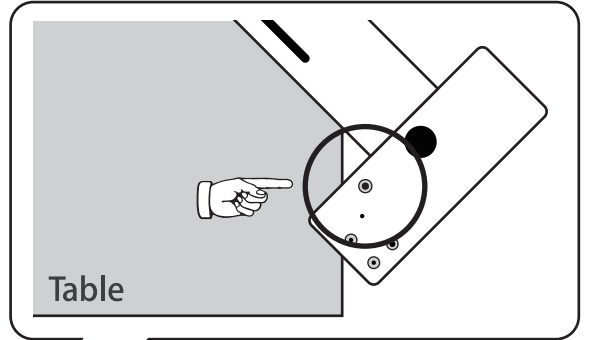
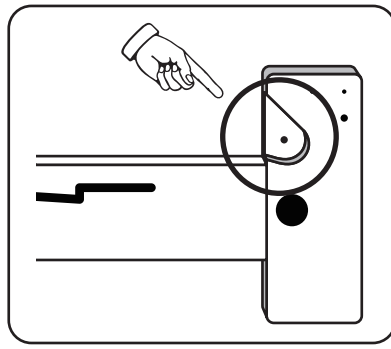
Check!



×2



Rest the loom side on a table edge. Tap 25mm (1") hex head bolts through the loom sides. NOTE the head of the bolt MUST be level with or below the surface of the side otherwise the pawl will catch on it.



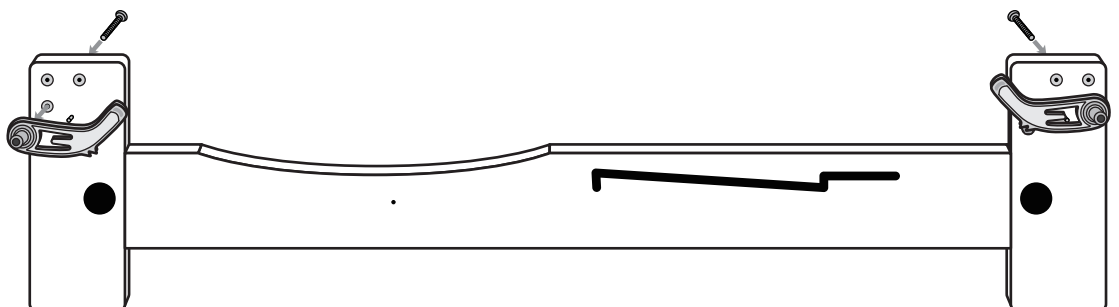
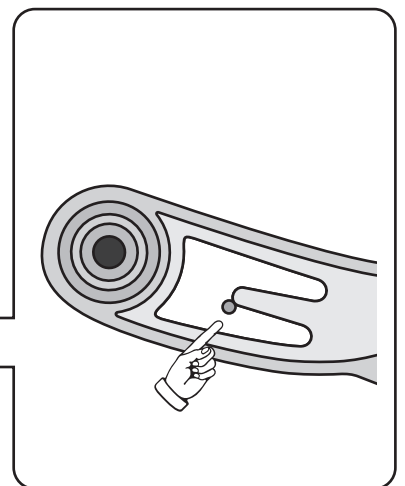
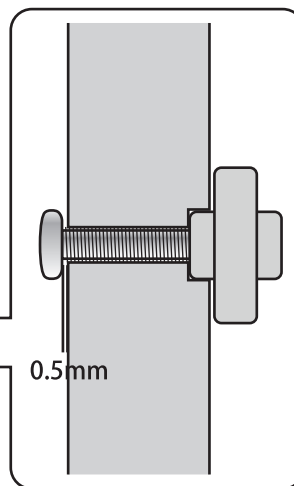
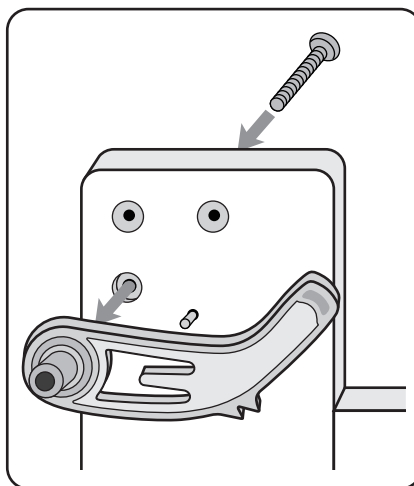
Hammer

6

Attach the 2 pawls to the loom side with 30mm (1 1/4") machine screws. NOTE the "clicker pin" fits into the gap in the pawl. Take care to ensure the "clicker pin" does not damage your table. Rub a little candle wax on the thread to make assembly easier. Leave 0.5mm (1/32") gap under the head of the bolt. DON'T over tighten. The pawl should move freely. Leave 0.5mm (1/32") gap under the head of the bolt.



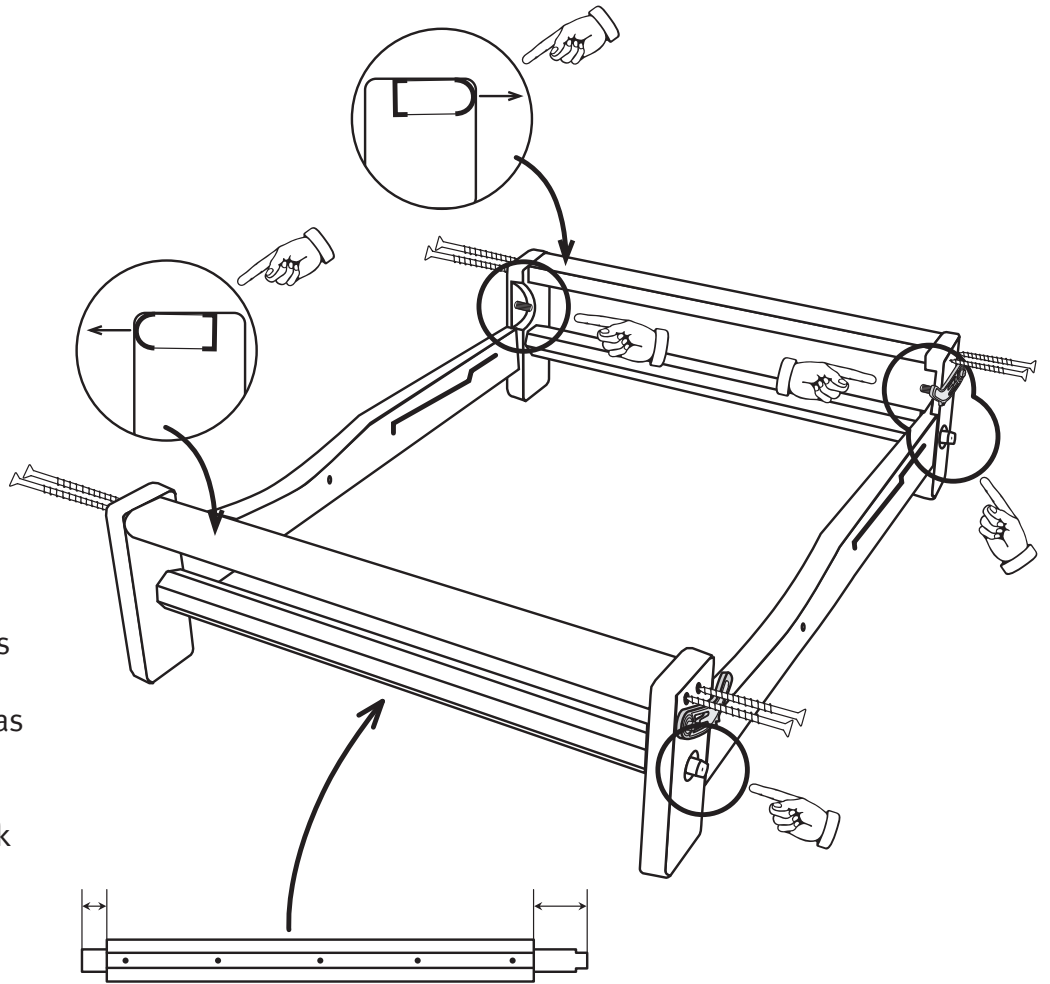
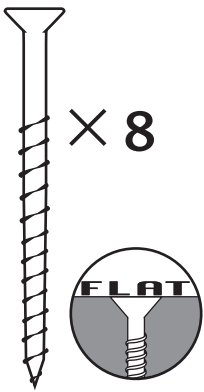
×2



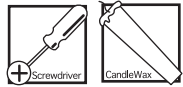
Screwdriver

7

Check!

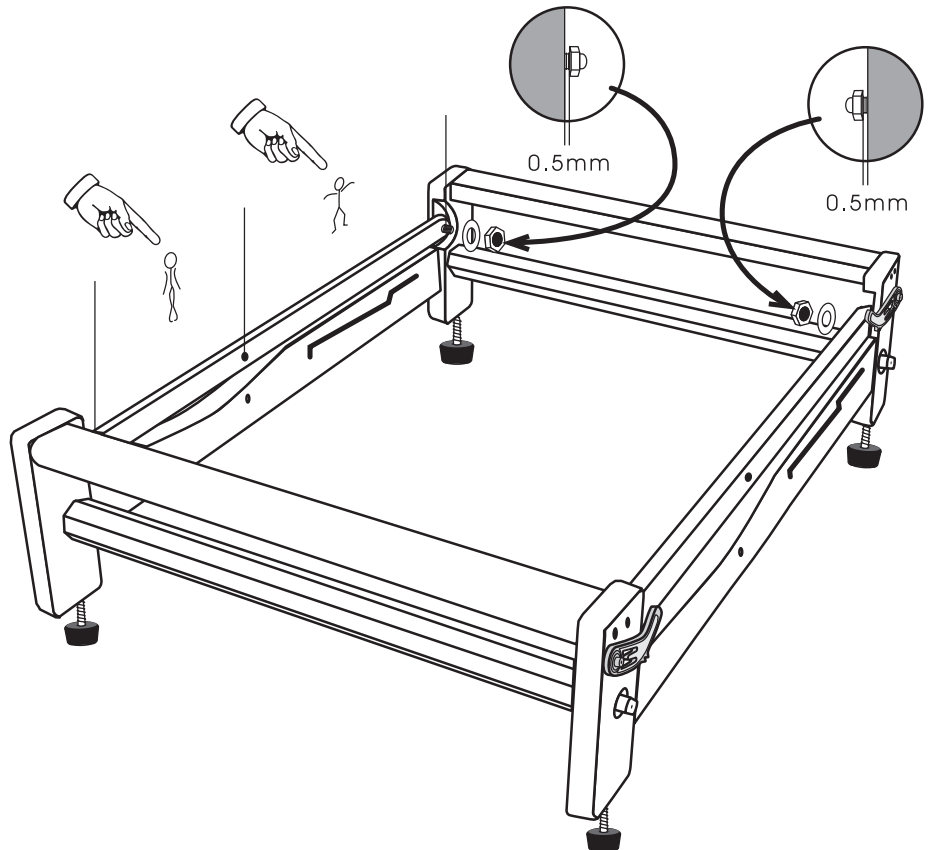
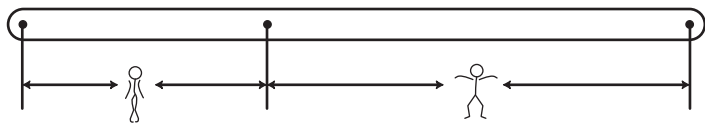


Place the rollers into the holes in the loom sides with the longer end on the same side as the pawls. Attached the front and back beams to the sides with 50mm (2") screws. Check the round edge of the beams face out.



8

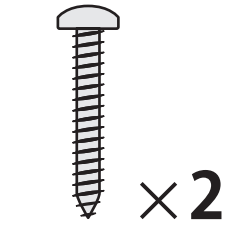
Check!



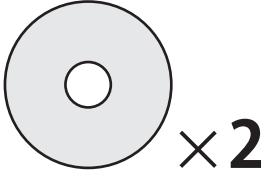
Attach the 4 rubber feet with the 12mm (1/2") screws. Attach the support arms to the loom sides after checking they are the correct way around. Secure with washers and nuts. Leave 0.5mm (1/32") gap under the head of the washer and nut.

9

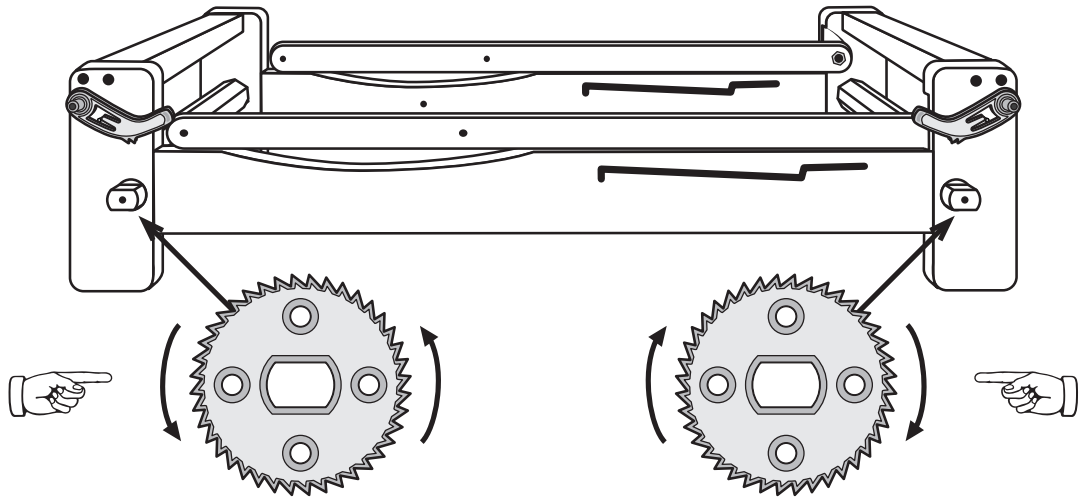
Check!



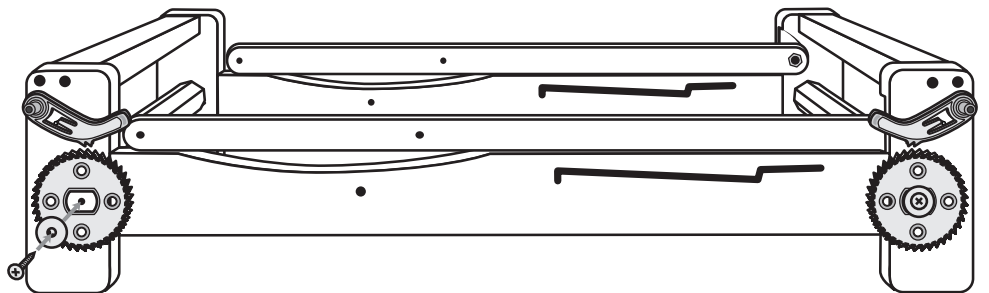
×2



×2

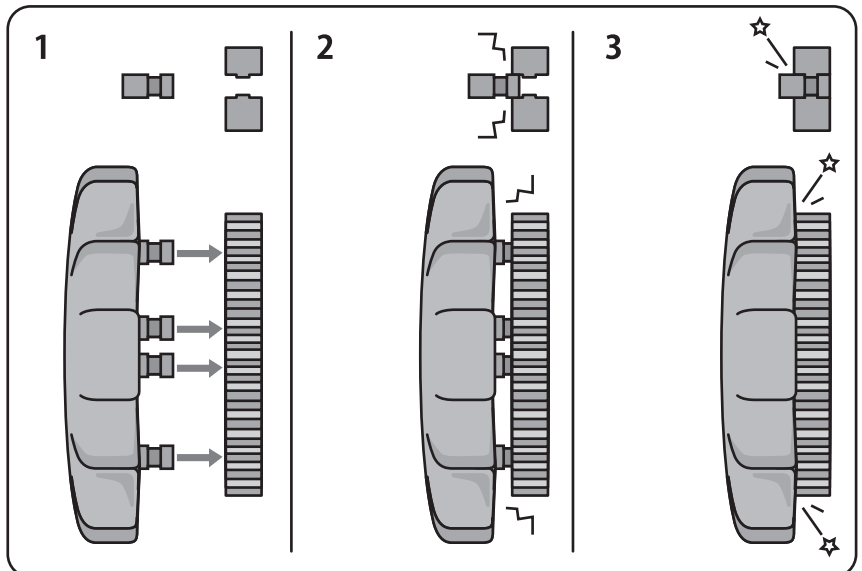
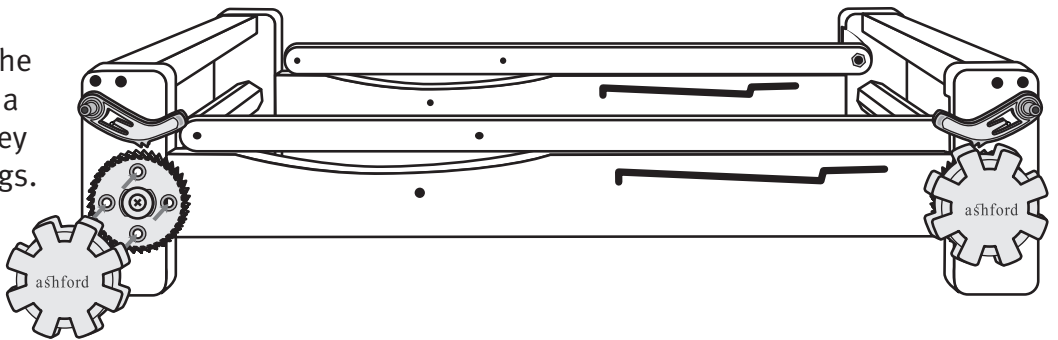


Place the cogs onto the ends of the rollers. Check the teeth engage the pawl. THEN secure with washers with small holes and 25mm (1") screws.



10

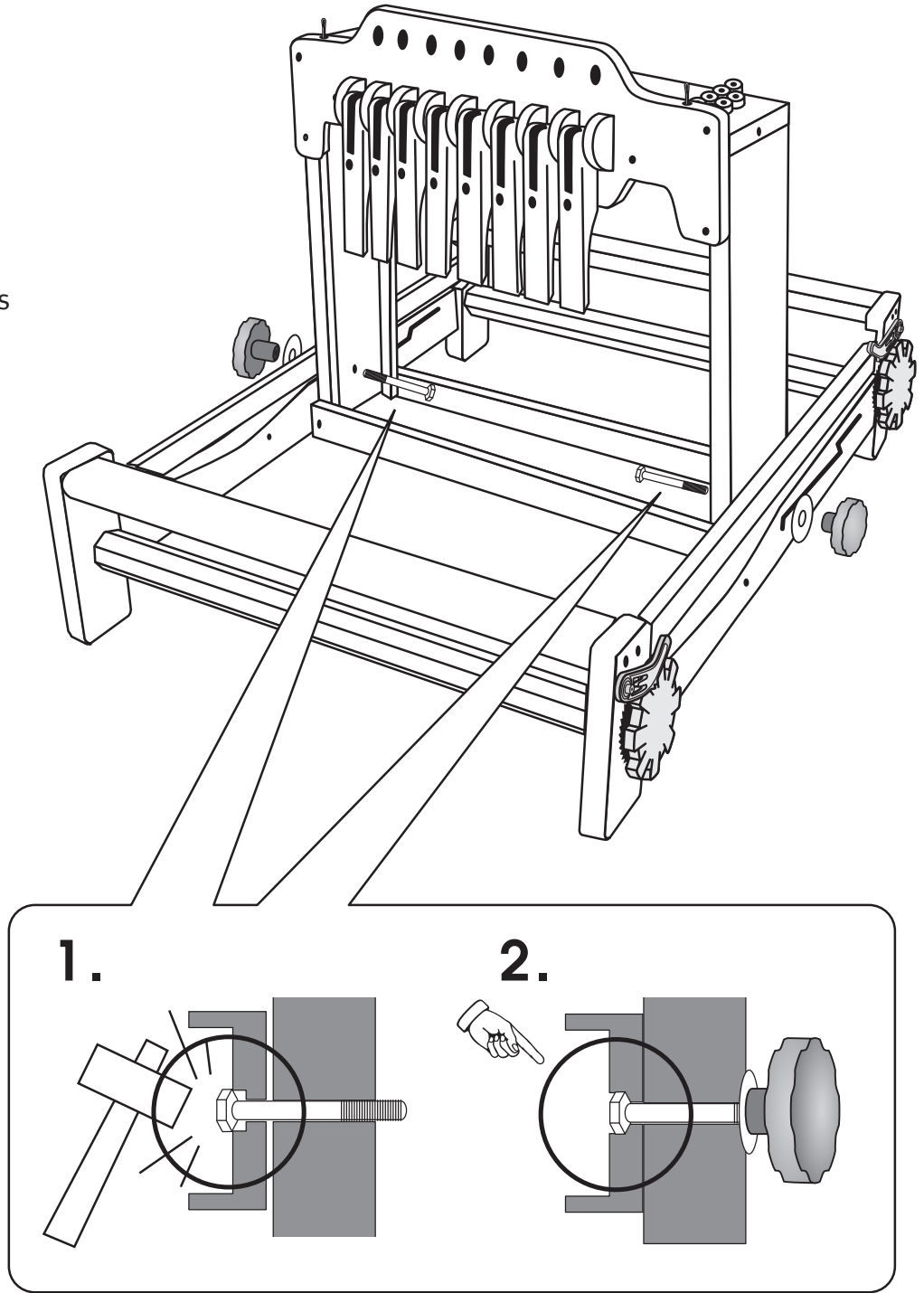
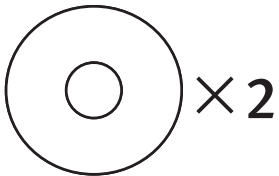
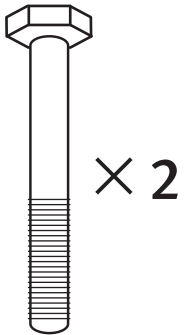
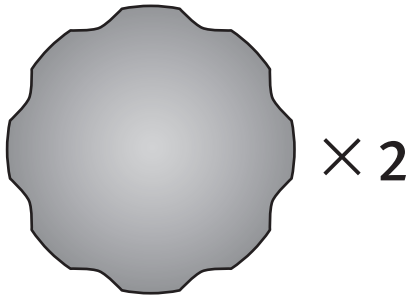
Locate the 4 pins on the handles into the 4 holes in the cogs. Then give the handles a sharp hit with your fist so they snap down tight onto the cogs.



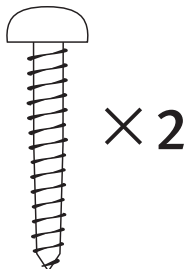
11

Check!

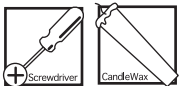
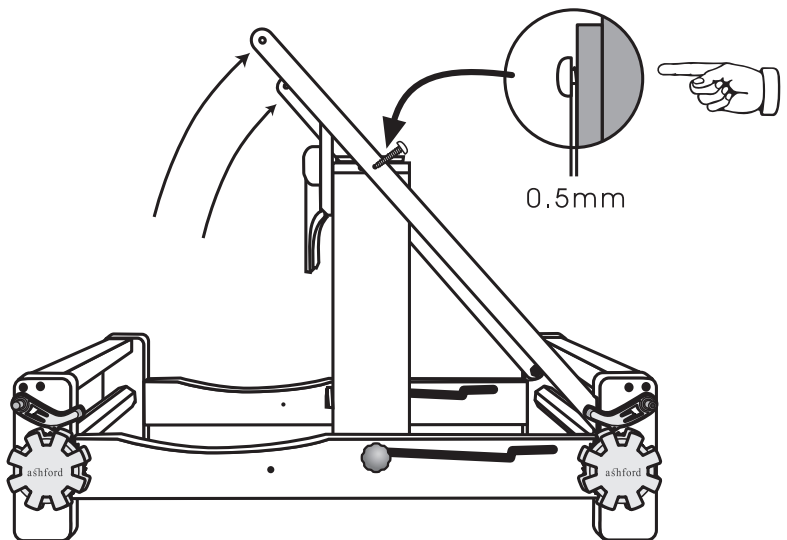
Place the castle inside the frame and attach with 40mm (1½") hex head bolts washers and handles. Tap the bolt heads and tighten the knobs until the bolt heads are level or below the surface of the castle side. Otherwise the shafts could catch on them.



12

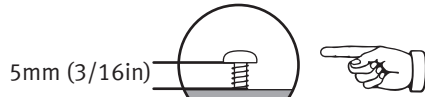
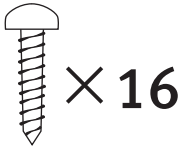


Lift the support rails up and attach them to the castle top with 30mm (1¼") screws. Leave a 0.5mm (1/32") gap.

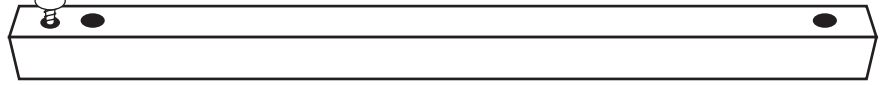


13

Check!



x 16

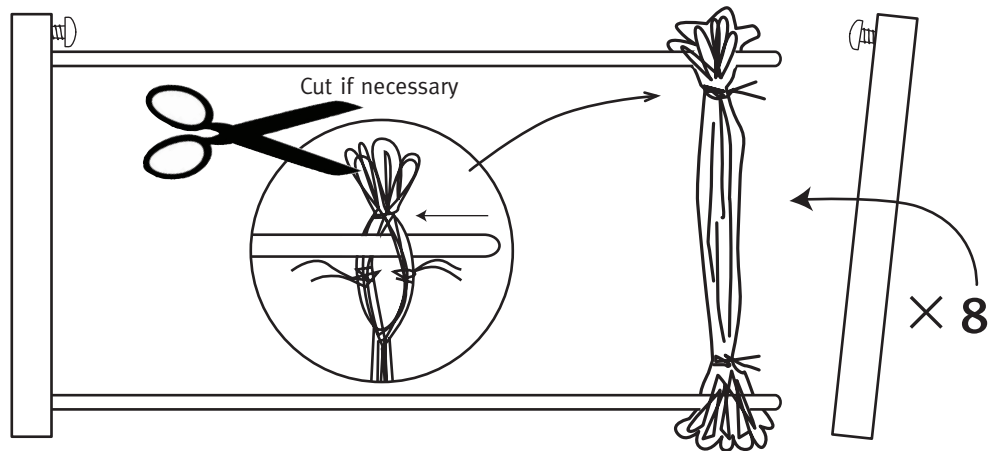


Thread the screws into the heddle frame ends using a hand held screwdriver and leave a 5mm (3/16") gap to loop the texsolv nylon cord over. **Note: Do not use an electric screwdriver as it can drive the screws in too far and crack the heddle frame ends.**



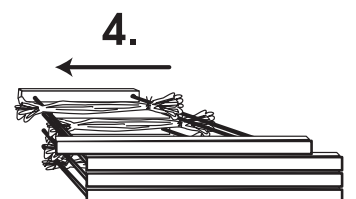
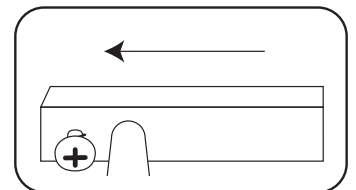
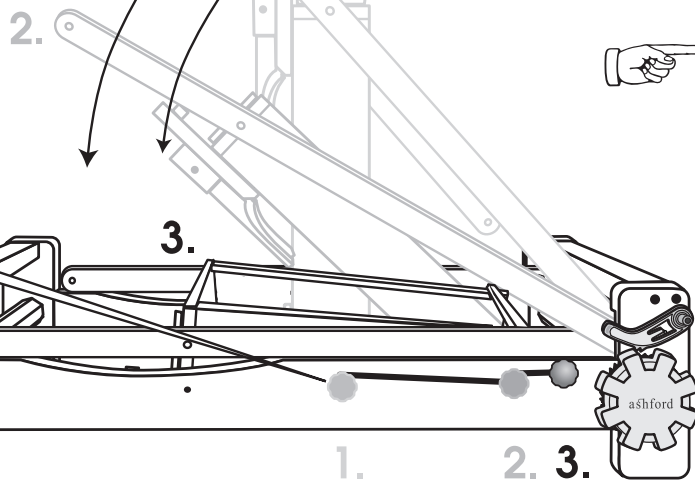
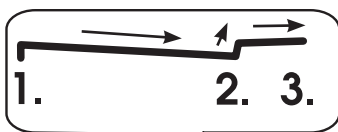
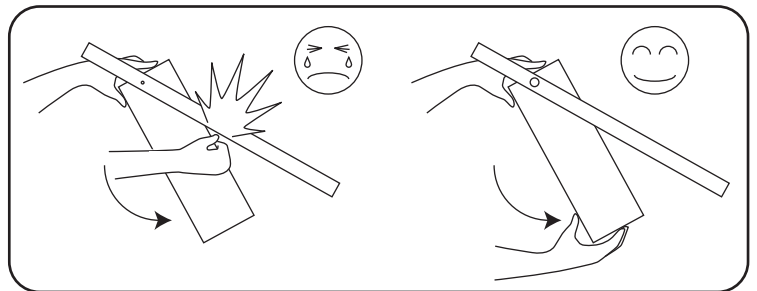
14

Push the metal bars into one heddle frame end, slide a bundle of Texsolv heddles over the bars and push the other end in place. Only then remove the plastic ties. If necessary, cut the Texsolv heddles to separate them.



15

Loosen then knobs. Then fold the castle flat. Be careful to hold as directed so you don't jam your fingers. The groove in the side has a two stage path - this is a safety feature so the loom doesn't fold too quickly. Slide the heddle frames into place. DO NOT force the loom from position 2 into position 3. Lift the castle carefully up the groove before sliding back.

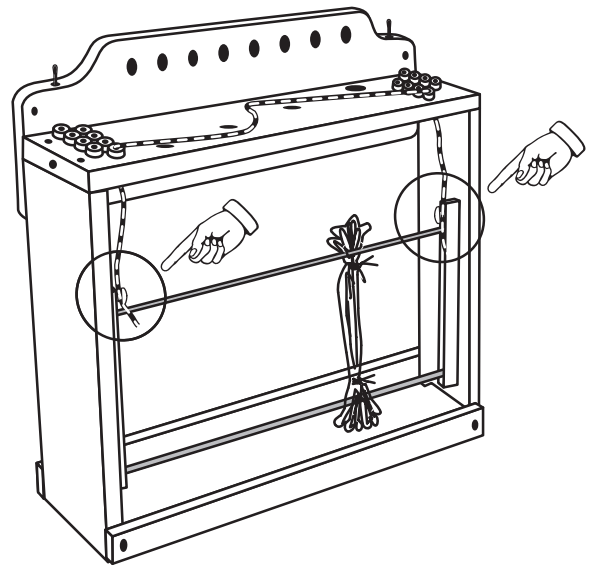
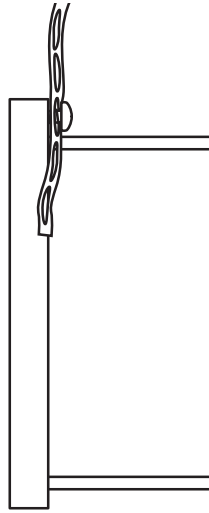




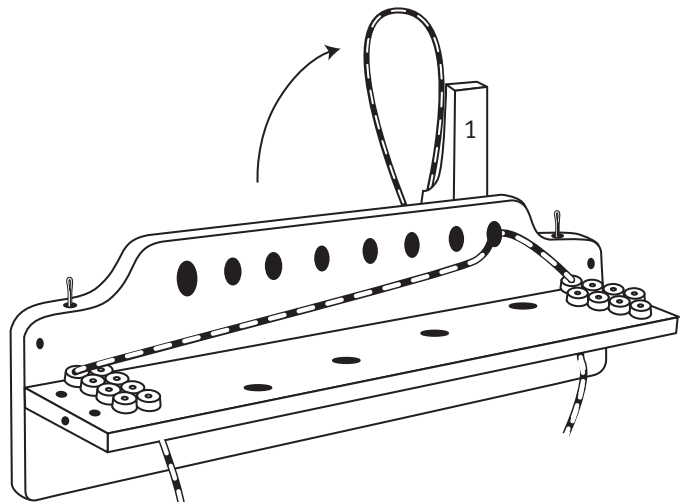
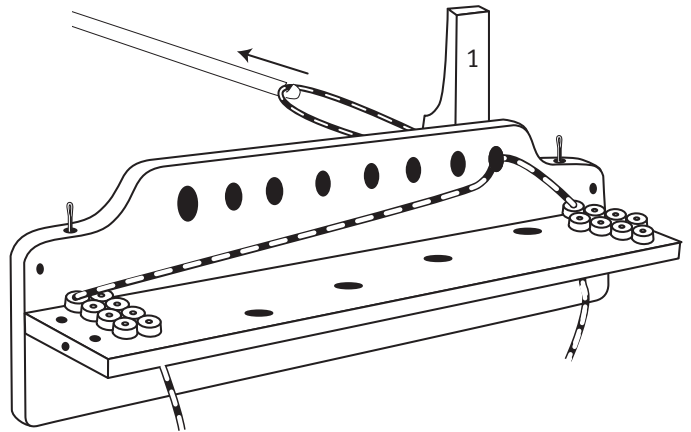
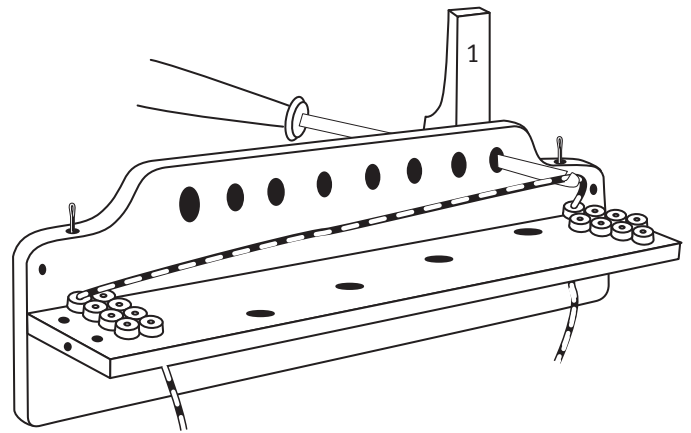
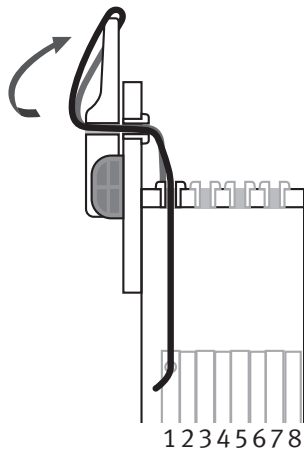
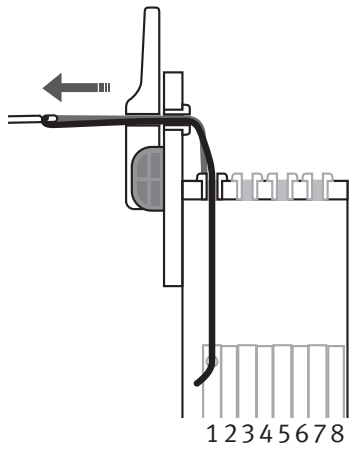
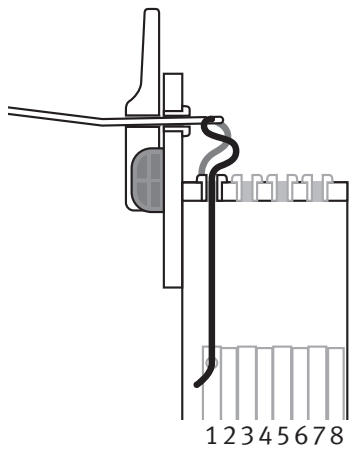
16

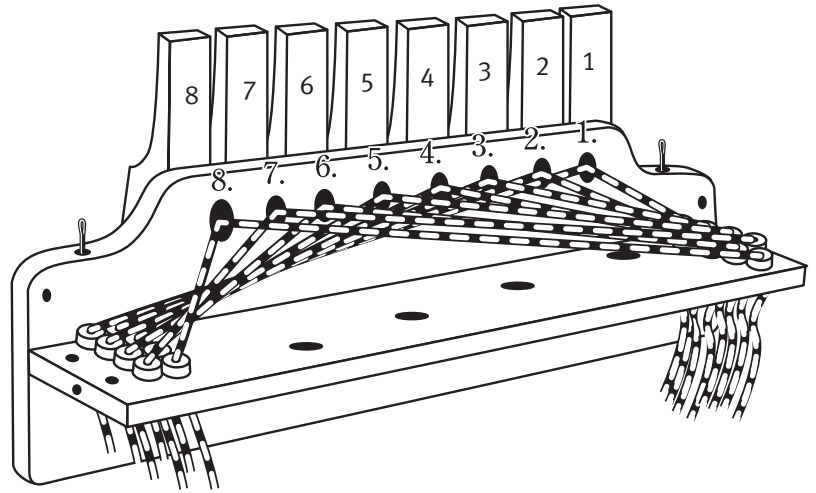
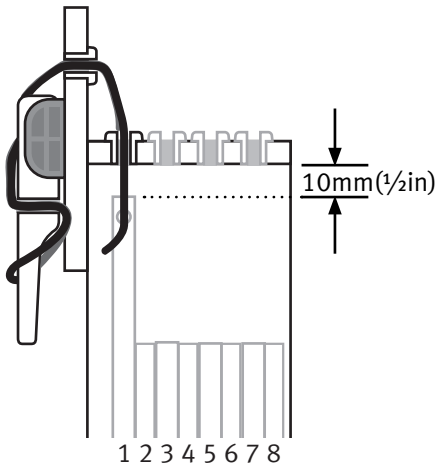
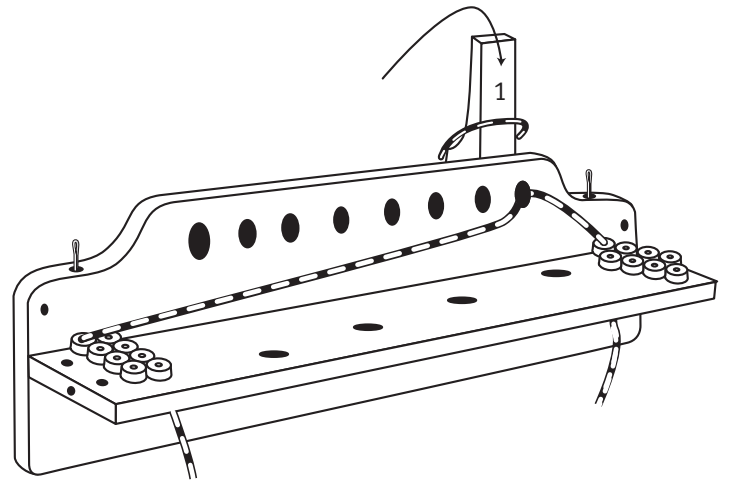
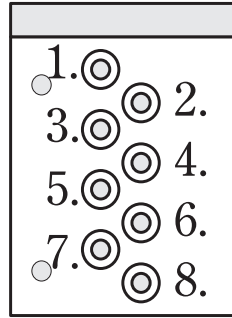
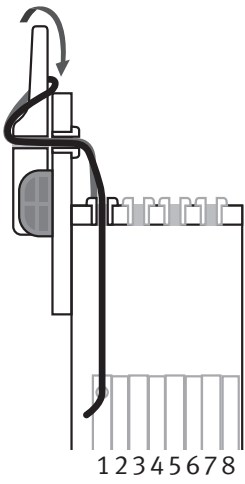
# Check!

Attach the lengths of Texsolv cord to the front heddle frame (1) and left lever (1) as shown. Then repeat for the other heddle frames and levers (2, 3, 4, 5, 6, 7, 8). **Note: To adjust the height of each heddle frame, place the lever in the down position. Adjust the Texsolv cord on the side of the frames to give a 10mm (1/2") gap between the top of the heddle frame ends and underside of the castle top.**

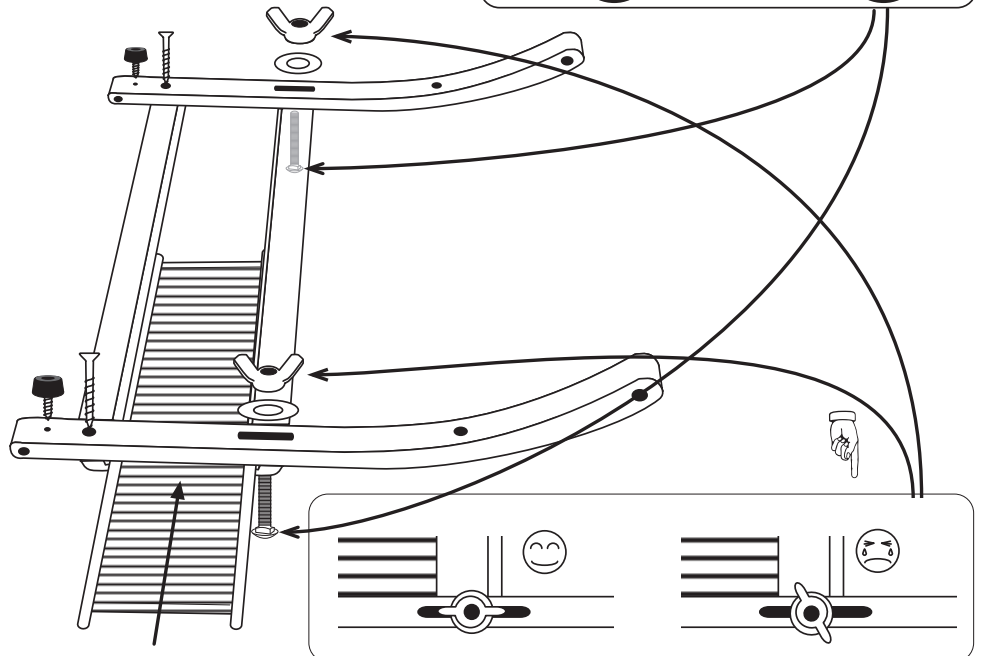
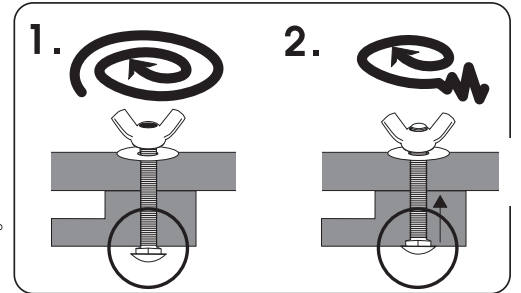
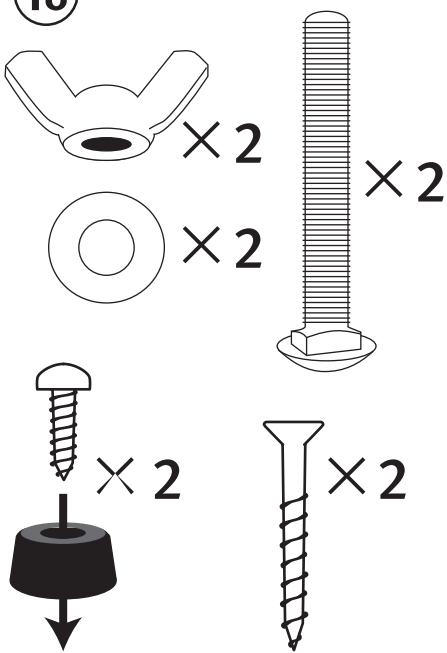


17

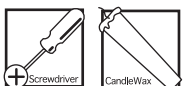




18



Make sure the wing nuts are parallel to the support rails to ensure the loom folds.

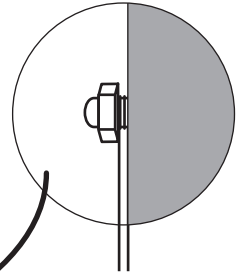
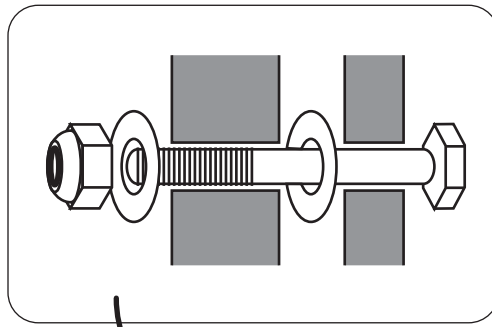


19

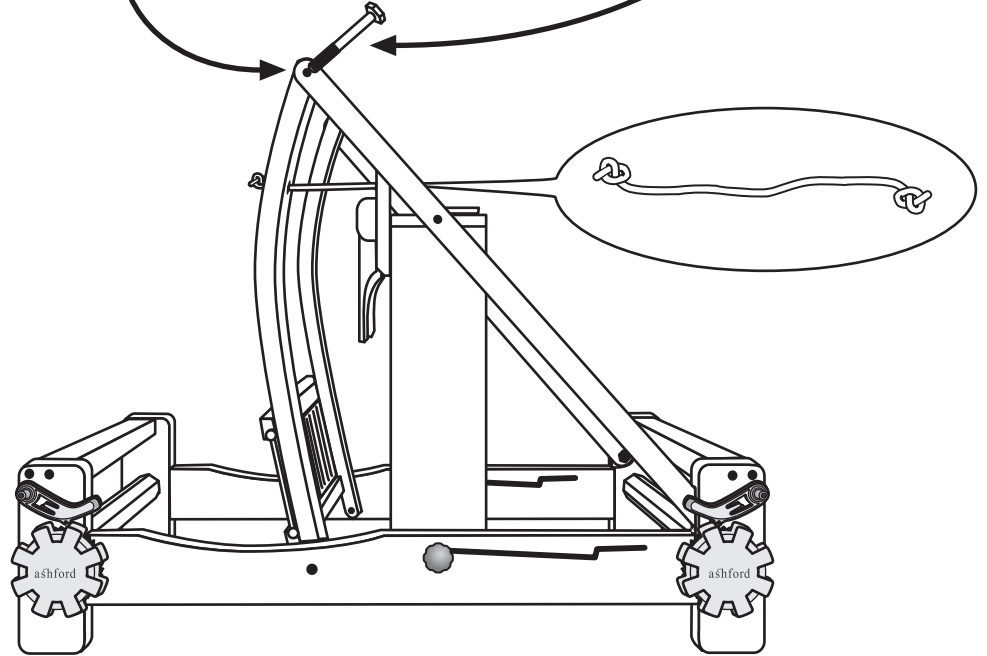
Check!

Attach beater frame to the support rails. Leave 0.5 mm (1/32") gap so the beater can swing freely.

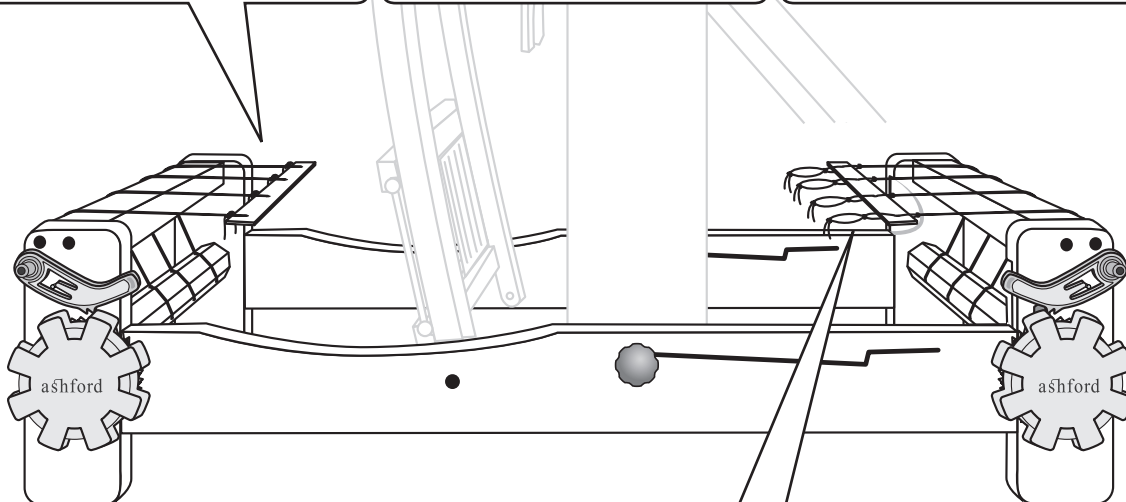
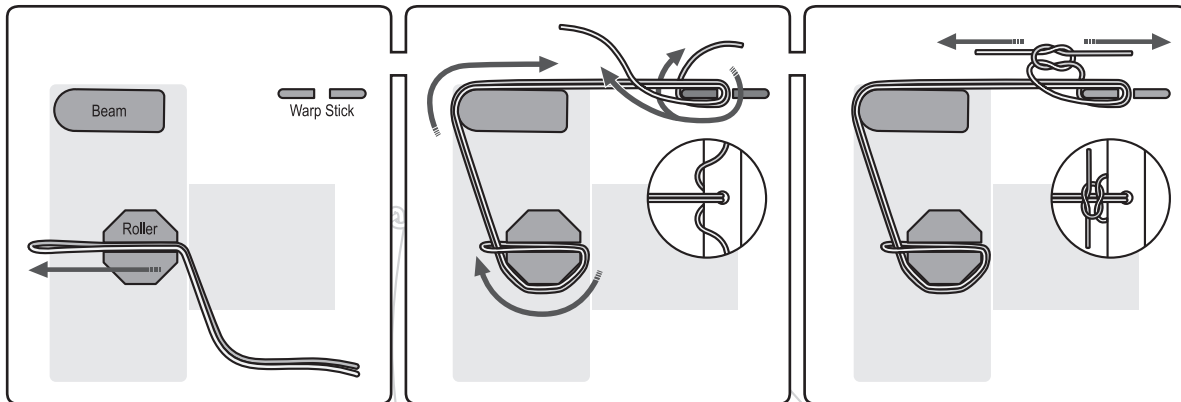
**Note:** If the beater frame rubs against the loom sides loosen the wing nuts and retighten. Stretchy cord - knot the cord at one end, slide through the hole in the beater support rail, the hole in the castle front and knot the other end.



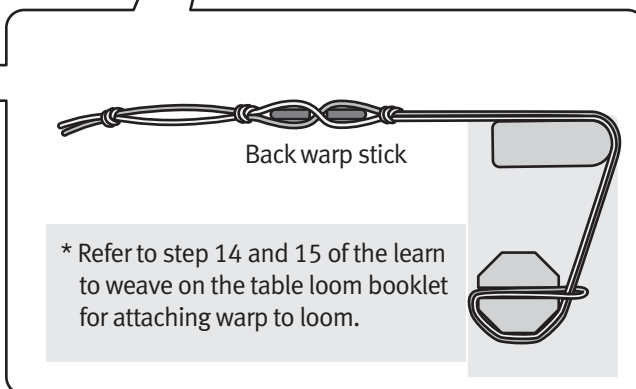
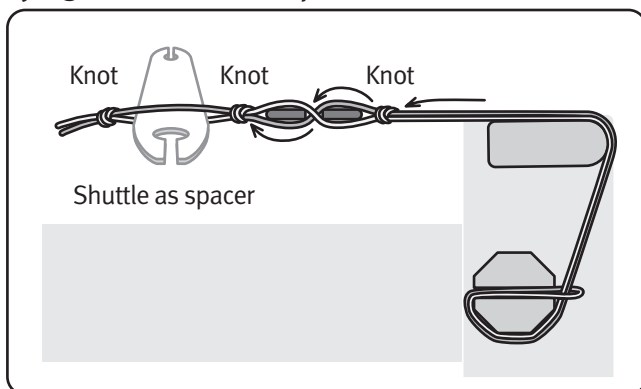
0.5mm



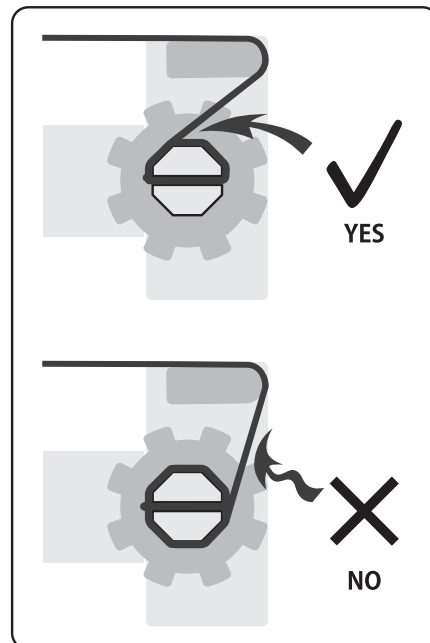
Tying on the front warp stick



Tying on the back warp stick



Check!



Now follow the easy step by step “Learn to weave on the Table Loom booklet” for your first woven sample!

To release the warp tension to advance the warp, turn the handle slightly and then lift the pawl out of the teeth.

Happy weaving!

Real scale hardware list for Table Loom

